

REAR DISCHARGE FINISHING MOWERS

4FT / 5FT / 6FT REAR DISCHARGE FINISHING MOWER

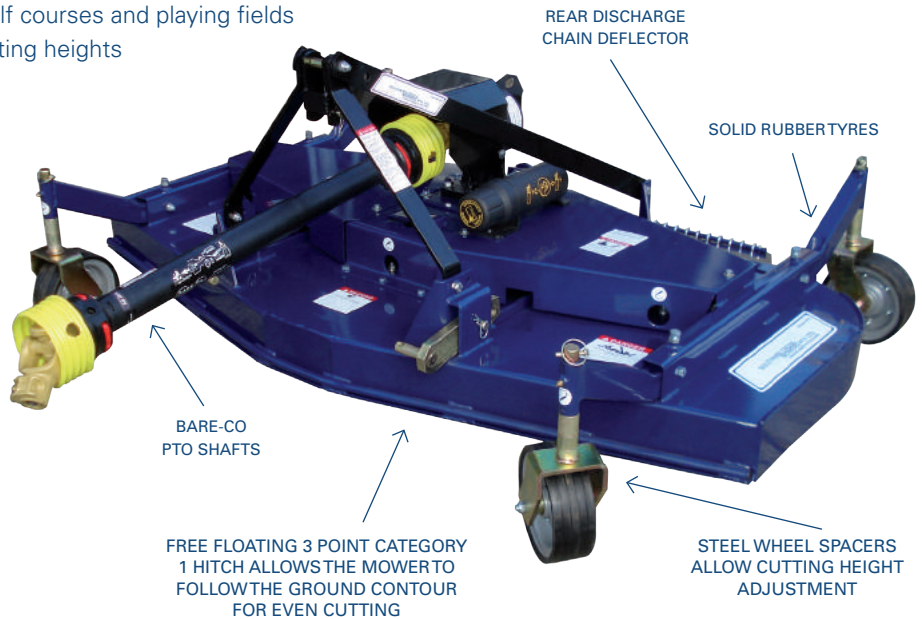
Model Numbers : 4FMOWR (4ft.) / 5FMOWR (5ft.) / 6FMOWR (6ft.)

- These finishing mowers are a great alternative to a ride-on mower
- Manicure your acreage and mow close to shrubs and buildings
- Ideal for house paddocks, polo fields, golf courses and playing fields
- Adjustable caster wheels for varying cutting heights
- Chain guard prevents thrown objects



key features

- Cutting height adjusts with four caster wheels
- Bare-Co PTO shafts
- Three Year Gearbox Warranty
- Three belt-driven blades
- Quick coupler PTO driveline shaft
- Category one hitch pins
- Sealed greaseable bearings



MODEL NUMBER	4FMOWR	5FMOWR	6FMOWR
Recommended Tractor (HP)	14-50	16-50	25-60
Cutting Width (mm)	1190	1480	1800
Overall Width (mm)	1210	1500	1840
Cutting Height (mm)	40-116	40-115	40-115
Number of Blades	3	3	3
Blade Size (mm)	402 x 50 x 6	505 x 50 x 6	610 x 60 x 6
Blade Tip Speed (m/s)	71	76	71
Blade Spindle	6205 Bearings	6205 Bearings	6205 Bearings
Belt Drive	V-Belt B1372	V-Belt B1575	V-Belt B1880
Deck Thickness (mm)	3	3	4
3 pt. Hitch	Free-floating category one	Free-floating category one	Free-floating category one
Gauge Wheel – Solid Rubber (Width x Diameter mm)	79 x 208	79 x 208	79 x 208
Wheel Spindle	Sealed bearings	Sealed bearings	Sealed bearings
Gearbox	1:2.83 Ratio-cast iron housing	1:2.83 Ratio-cast iron housing	1:2.83 Ratio-cast iron housing
PTO Driveline	Bare-Co series 4 PTO shaft	Bare-Co series 4 PTO shaft	Bare-Co series 4 PTO shaft
Grass Discharge	Rear discharge with 535mm throat	Rear discharge with 735mm throat	Rear discharge with 1080mm throat

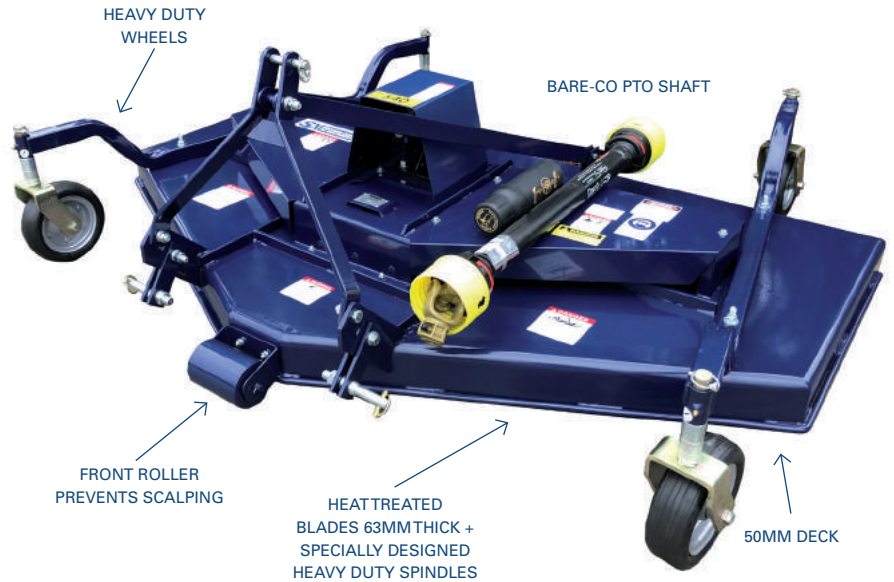
MULCHING + 7FT FINISHING MOWERS

6FT MULCHING + 7FT FINISHING MOWER

Model Numbers : 6FMOWRMK (6ft.) / 7FMOWR (7ft.)



6FT MULCHING FINISHING MOWER
DOUBLE BLADE MULCHING ENCLOSURE



MODEL NUMBER	6FMOWRMK	7FMOWR
Recommended Tractor (HP)	25-60	25-50
Cutting Width (mm)	1800	2133
Overall Width (mm)	1840	2235
Cutting Height (mm)	40-115	44.5 – 120.5
Number of Blades	6	3
Blade Size (mm)	610 x 60 x 6	750 x 76 x 6
Blade Tip Speed (m/s)	71	
Blade Spindle	6205 Bearings	6205 Bearings
Belt Drive	V-Belt B1880	V-belt B2235
Deck Thickness (mm)	4	5
3 pt. Hitch	Free-floating category one	Free-floating category one
Gauge Wheel – Solid Rubber (Width x Diameter mm)	79 x 208	76 x 254 heavy duty solid rubber
Wheel Spindle	Sealed bearings	Sealed bearings
Gearbox	1:2.83 Ratio-cast iron housing	1:1.93 Ratio
PTO Driveline	Bare-Co series 4 PTO shaft	Bare-Co series 4 PTO shaft
Grass Discharge	Rear discharge with 1080mm throat	Rear discharge