

W50_c W80_c



| | W50C TC | W80C Z-BAR |
|----------------------|------------------------|------------------------|
| ENGINE POWER | 58 hp / 43 kW | 74 hp / 55 kW |
| MAX OPERATING WEIGHT | 5.3 t | 6.5 t |
| BUCKET CAPACITY | 0.7-1.0 m ³ | 1.1-1.2 m ³ |



BUILT AROUND YOU

GET READY FOR EVERY MISSION



FPT INDUSTRIAL ADVANCED ENGINE TECHNOLOGY

The new C series Compact Wheel Loaders are equipped with a 3.4 liters turbocharged multiple injection engine developed by FPT Industrial, a world-wide leader in the design, production and sale of powertrains for industrial applications.

FPT Industrial is a global engine manufacturer, part of CNH Industrial group, that produces more than 600,000 engines a year.

- ▶ 3.4 liter 4-cylinder Turbocharged Multiple Injection High Pressure Common Rail
- ▶ Tier 4 final / EU Stage IIIB compliant using **MAINTENANCE FREE** Technology (DOC + PM CAT); no AdBlue and DPF filter required.



**WITH THE WIDE ATTACHMENT OFFERING YOU CAN DO EVERYTHING!
EASY ASPHALT PLANING, BROOMING, COMPACTING..AND MUCH MORE!**

REACTIVE PARTNER TO SATISFY MULTIPLE JOBSITE NEEDS

Thanks to the depressurized push-pull connectors you will never need any tool to change your attachments
High visibility on the quick coupler pins with both z-bar and TC arms make attachment changes quick and easy from the cab seat

FRONT ELECTRICAL SOCKET

For multi functioning or special attachments

CREEP SPEED

Allows to maintain constant low speed rpm without even pressing the throttle pedal for your comfort on long planing applications.

STANDARD FLOW OR HIGH FLOW

- ▶ Standard Flow (Max pressure 230 bar):
W50C: 67 lpm @ 2500 rpm
W80C: 85 lpm @ 2500 rpm
- ▶ High flow package on W80C
130 lpm @ 2500 rpm

High flow option (W80C only) available as package with Creep Speed, Front Electrical Socket and Return Depressurized Drain line.



COMFORT TO BOOST PRODUCTIVITY



MAXIMUM OPERATOR SAFETY

The cab complies with ROPS and FOPS level 2 standards. Tested to protect the operator in case the machine rolls over or a 227 kg rock falls from 5 meters height on the roof.

EASY CAB ACCESS

- New step design
 - Low threshold
- Maximized accessibility and safety.**

THE DELUXE OPTION

- Additional storage compartments
- Telescopic steering wheel



HIGH VERSATILITY

- Creep speed
- Z-bar and parallel linkage kinematics
- Connect under pressure auxiliaries

LOW CAB PROFILE

- Easy transport on truck, quick access to the cab:
W50C: 2.46 m,
W80C: 2.68 m

HIGH PAYLOAD

- From 1.8 t up to 2.5 t tipping load
- Auto-Ride control optimizes bucket retention

NEW CAB

- New ergonomic design
- Rops-Fops Level 2 structure

MAXIMUM STABILITY

- Oscillating rear axle
- Wheel base equally distributed in reference to the frame articulation joint

FAST TRAVELLING

- Engage Turtle/Rabbit speed under load
- HTS - High Travel Speed version (33 km/h) on the W80C only



SERVICE PLUS





THE NEW HOLLAND DEALER: YOUR PROFESSIONAL PARTNER

Your success starts with world-class New Holland machinery and attachments. Your New Holland dealer will help you work smarter and faster by selecting equipment that delivers performance and operator comfort. Your dealer has the knowledge and experience necessary to help you choose the right attachments so you can...

- **Work faster and extend equipment life.**
- **Increase machine utilization.**
- **Increase your capabilities.**

Let your New Holland dealer service your machine on the jobsite. You'll be back on the job faster. Advantages include...

- **Responsive job site service to keep your equipment running.**
- **Increase machine uptime.**
- **Certified service staff and improved parts availability.**

PARTS

When you're looking for superior parts options to maximise the performance and lower the operating costs of your New Holland machinery, turn to CNH Original Parts to keep you equipped for success.

CNH Original Parts fit better, install faster and last longer and in an industry where "high impact" and "heavy lifting" are the norm, the smallest mechanical differences can lead to big problems.

CNH Original Parts from New Holland are manufactured from superior materials and specifically designed for New Holland to continually and reliably withstand the punishment of everyday construction. So steer clear of mechanical problems and future breakdowns, by choosing CNH Original Parts from New Holland. They're the only parts that are field-tested and proven to keep your New Holland equipment performing its best.

SERVICE. RELY ON NEW HOLLAND TO DELIVER FOR YOU

Your commitment to your operation is evident every day, but that doesn't minimise the enormous pressure you face to reduce operating costs and improve productivity. So when you're on the job, make sure you have top-notch service and support of New Holland behind you every step of the way. With our factory trained technicians, you can ensure that top-notch service professionals are working on your maintenance needs, so you can focus on your business and the big job challenges ahead, not on the tasks of servicing your equipment.

With your New Holland Service, you get more than mere oil changes. A New Holland Service ensures your New Holland equipment receives a thorough service that meets all requirements of its service schedules and properly maintains it for the day-in, day-out punishment of construction work.

Don't give another thought to time-consuming maintenance tasks. Simply rest easy and make certain that your service needs are taken care of by a New Holland factory trained technician.





When the unexpected occurs, you need to know your equipment is protected. At New Holland we understand the importance of your machinery being in good working order when it counts. Service Plus is designed to help keep your equipment working well beyond the manufacturer's base warranty period while taking away the concerns of the cost and inconvenience of mechanical failure.

WHAT ARE THE ADVANTAGES OF SERVICE PLUS?

PEACE OF MIND

Provides protection beyond the Manufacturer's Base Warranty Period.

FLEXIBLE OPTIONS

Plans can be customised to meet individual needs.

DEPENDABLE SERVICE

Eligible repairs completed by an authorised New Holland Dealership and their trained service technician's using genuine OEM parts & lubricants.

TRANSFERABLE PROTECTION

New Equipment Plans may be transferred to a new owner at no charge

• STANDARD PROTECTION PLAN 3 Year / 3000 Hour

Additional years/hours can be purchased. Please contact your local New Holland dealer for further information.

STANDARD SERVICE PLUS PROTECTION PLAN CONSTRUCTION EQUIPMENT MASTER PARTS SCHEDULE

This plan provides coverage for the components listed below when a failure occurs due to a defect in material or workmanship, and may provide coverage for additional components not listed when the damage is caused by or resulting from a covered failure of a listed component.

PREMIER COMPONENTS COVERED

| ENGINE AND ALL INTERNAL LUBRICATED COMPONENTS WITHIN | TRANSMISSIONS/AXLES/HYDROSTATICS | ELECTRICAL | HYDRAULICS |
|--|---|---|---|
| Accessory Gears | Axle Housing | Alternator | Accumulator And Related Relief Valve |
| Air Intake Hose | Axle Shaft | Gauges | Brake Accumulator |
| Camshaft | Clutch Discs (Wet Only) | Horn | Brake Pressure Sensor |
| Camshaft Bearings | Clutch Plates (Wet Only) | Indicators | Brake Pump, Brake Valve |
| Camshaft Drive Gear | Control Rods | Instruments | Differential Lock Valve |
| Catalytic Converter | Counter Shaft Clutch | Electronic Joysticks | Fan Pumps And Motors |
| Charge Air Cooler | Differential Housing | Electric Motors | Hydraulic Cylinders |
| Cold Start Enrichment Systems | Differential Pinion Gear / Ring Gear | Factory Installed Telematics | Hydraulic Hoses and Piping |
| Connecting Rods & Bearings | Drive Axle Hub | Sensors | Hydraulic Motors |
| Crankshaft Bearings & Gear | Drive Shaft Support Bearing | Solenoid Valves | Hydraulic Oil Coolers |
| Crankshaft Including Front And Rear Crankshaft Seals | Drive Shaft with Universal Joints | Starter And Starter Solenoid | Hydraulic Pumps |
| Cylinder Heads/ Head Gaskets | Electronic Transmission Controller and Valve | Switches | Hydraulic Reservoir |
| Cylinder Liners | Enclosed Oil Immersed Chains and Sprockets | Traction Control System | Hydraulic Valves |
| Diesel Exhaust Fluid Tank and Dispensing System | External Oil Lines | Voltage Regulator | Internal O-Rings and Bonded Washers |
| Diesel Particulate Filter | Filler Tubes (Transmission) | Wiring Harnesses | Pilot Control |
| EGR System Manifold | Final Drive Pinion | Wiring Harnesses Exclusions | Pressure Reducing Valves |
| Electronic Engine Control Module | Final Drive Planetary Gears | Rubbing, Chafing, Loose Or Corroded Connections | Unloading Valves |
| Engine Block | Front Wheel Drive Sensors | FACTORY INSTALLED HEAT AND AIR CONDITIONING | STRUCTURAL |
| Engine Mounts And Supports | Hydraulic Drive / Travel Motor | Accumulator | Backhoe Booms |
| Engine Oil Cooler | Hydraulic Drive Pump | Clutch | Backhoe/Excavator Dipper Sticks |
| Engine Speed Controls, Linkages, and Cables | Hydraulic Transmission-Control Valve | Compressor | C Frame |
| Exhaust Manifold and Muffler | Hydrostatic Motor | Condenser | Car Body |
| Fan And Fan Drive | Hydrostatic Transmission Charge Pump | Dryer | Chassis |
| Filter Mount | Hydrostatic Transmission Pump | Evaporator | Circle Frame |
| Flywheel, Ring Gear | Hydrostatic/Hydraulic Pump Drives | Expansion Valve | Engine Frame |
| Front And Rear Engine Covers And Seals | Internal Lubricated Clutch Housings | Heater Core | Equipment Frame |
| Front Damper | Internal Transmission Control Linkage | Hoses | Excavator Booms |
| Fuel Lines | Internal Wet Service Brakes | Pulley | Falling Object Protection Structure (FOPS) |
| Fuel Tank | MFWD Axle/Differential Assembly including Driveshaft and U Joint | Seals & Gaskets | Forklift Masts |
| Fuel Transfer Pump & Gasket | Planetary Gear Carrier | Temperature Control Programmers and Valves | Inner and Outer Dipper Arms of the Extendable Boom (Backhoe Loader) |
| Injection Pump | Pneumatic Valves | OPERATOR AREA | Main Frame |
| Injectors | Rotary Hydraulic Manifold | Covers and Panels | Rollover Protection Structure (ROPS) |
| Intake and Exhaust Manifold And Gaskets | Splitter Drive/Drop Box | Exterior/Interior Door/Panel Latches, Hinges & Struts | Swing Frame |
| Oil Filler Tube | Steering Clutches (Wet) | Exterior/Interior Moldings | Swing Tower Castings (Backhoe Loader) |
| Oil Lines | Swing Motor And Swing Gear Box | Knobs for Switches and Handles | Track Frame |
| Oil Pan And Gasket | Torque Converter | Mirrors | Wheel Loader/Skid steer Loader Arms |
| Oil Pump | Torque Converter Pump | Seat Frame & Suspension | |
| Pistons & Rings | Transfer Drive | | |
| Pre-Cleaner/Air Cleaner Housing | Transmission Case | | |
| Pressure/Temperature Sensors & Sending Units | Transmission Gears, Bearings, & Shafts | | |
| Pulleys | Transmission Pump | | |
| Radiator | Travel & Swing Sections (only) Of Main Control Valve | | |
| Rocker Arm Assembly | Travel Control Valve | | |
| Selective Catalytic Reduction System | Turntable Bearing | | |
| Thermostats | Undercarriage Roller And Idler Seals And Bearings | | |
| Timing Gears | Undercarriage Tensioners | | |
| Turbocharger And Gasket | UNDERCARRIAGE EXCLUSIONS: | | |
| Valve Cover And Gasket | Sprocket, Tracks, Pads, Bolts, Chains, Or Any Failure Due To Wear, Or Breakage Caused By Wear | | |
| Water Piping | | | |
| Water Pumps | | | |

W50C/W80C

SPECIFICATIONS



ENGINE

Make and model
W50C.....FPT F5HFL463B
W80C.....FPT F5HFL463A
Engine with Diesel Oxidation Catalyst (DOC) that reduces the quantity of Particulate Matters (PM)
Emission level.....Tier 4 final / EU Stage IIIB
Engine Power (Net @2500rpm)
W50C..... 55 hp / 41 kW
W80C..... 70 hp / 52 kW
Maximum torque
W50C..... 251 Nm
W80C..... 308 Nm
Type..... Turbocharged Multiple Injection
High Pressure Common Rail
Displacement 3.4 l
N. of cylinders..... 4
Bore x stroke..... 3.9 x 4.3 mm 99/110



TRANSMISSION

Hydrostatic 4-wheel Drive Transmission..... Travel speed is proportional to the pressure on the throttle.
Speed with standard tyres
Operating speed range0-5 km/h
Travel speed range 0-20 km/h
Optional High Travel Speed 33 km/h
(upon request W80C)

“Inch & Brake” Pedal

Power transfer from the transmission to the bucket hydraulics at constant rpm. Optimum speed control at low speed.

Optional Creep Speed (upon request on W80C):

Set and adjust travel speed in the 1-5.5 km/h range, adjust engine rpm for hand-free asphalt planing, snow blowing, brooming



DIFFERENTIAL

Limited slip front & rear (all models) or Front & rear open diff (W50C) or open with 100% lock on front and rear differentials (W80C)



TIRES

Standard

W50C..... 12.5-18
W80C..... 14.5-20

More special tyres upon request



BRAKES

Standard brakes..... disc brake.
Located in hubs for W80C, centre mounted for W50C
Parking brakes..... disc brake on transmission shaft



STEERING

Fully hydraulic center pivot steering.
Front and rear wheels follow the same track.
Steering angle of 40° to each side.
Emergency steering function.



ELECTRICAL SYSTEM

Voltage..... 12V
Battery..... 95 A.h
Alternator..... 120 A.h



CAPACITIES

Diesel..... 87 l
Engine oil..... 7 l
Cooling liquid..... 16 l
Total hydraulic oil..... 57 l
Front axle..... 9 l
Rear axle..... 12 l



HYDRAULICS

Gear pump for loading and steering hydraulics
Priority valve favouring steering hydraulics
3rd or 4th functions are proportionally controlled by the All-in-one Joystick with , Flow memory button as standard.

Standard Flow

W50C..... 67 lpm @ 2500 rpm
W80C..... 85 lpm @ 2500 rpm

High Flow package

available upon request on W80C 130 lpm @ 2500 rpm



NOISE AND VIBRATIONS

External - Guaranteed acoustic power-level LWA (1)..... 101 dB
Cab interior - Sound Pressure Level (2) W50C..... 71 dB
W80C..... 72 dB

Hand- / arm- / body -vibration (3)..... < 2.5 / 0.5 m/s²

(1) According to 2000/14/EG & appendixes.

(2) According to ISO 6396.

(3) According to ISO 8041

GENERAL DIMENSIONS

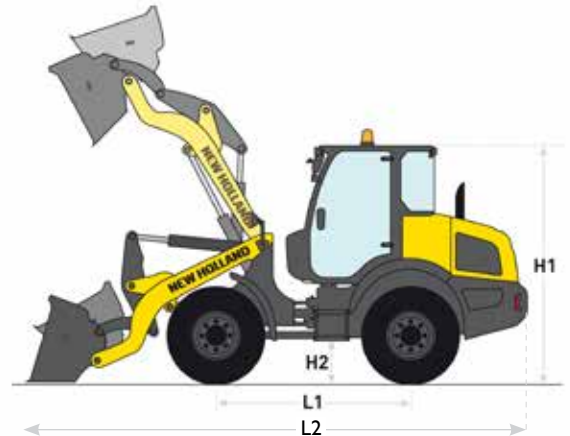
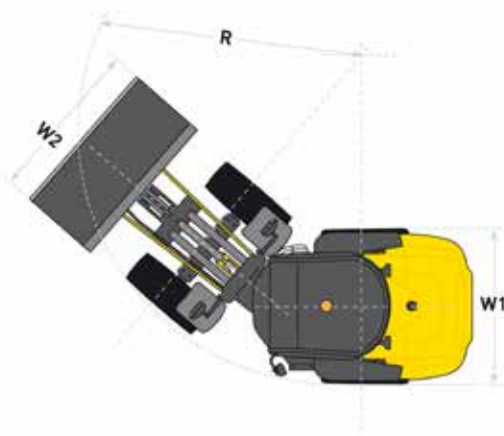


TC is the best solution for pallet handling thanks to parallel kinematic great attachments

- Visibility is guaranteed by the single cylinders concept
- Straight arms for maximum reach

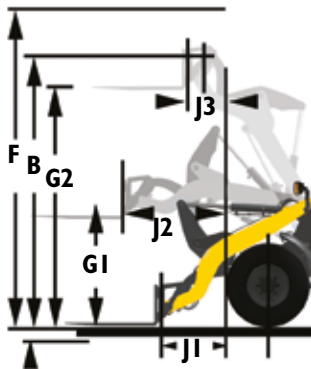
Z-bar "Banana" arms with no inferior overhanging cylinder

- 2 lifting cylinders for more breakout force
- Parallel lifting with max +4° roll back
- Optimized visibility of front attachment



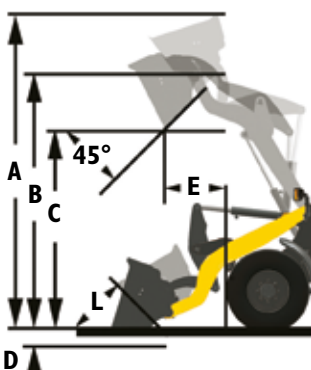
| | W50C | W80C |
|-----------|---------|---------|
| H2 | 2.46 cm | 2.68 cm |
| H1 | 45 cm | 49 cm |
| W1 | 1.74 m | 1.86 m |
| W2 | 1.90 m | 2.10 m |
| L1 | 2.08 m | 2.23 m |
| R | 3.72 m | 3.99 m |

SPECIFICATIONS WITH FORKS



| | | W50C | W80C |
|----------------------------------|---|-----------|--------------|
| | | TC | Z-BAR |
| Tipping load straight | t | 3.0 | 3.1 |
| Tipping load at full turn | t | 2.6 | 2.7 |
| Payload @ 80% | t | 2.1 | 2.2 |
| F Max overall height | m | 3.63 | 3.63 |
| B Hinge pin height | m | 3.11 | 3.29 |
| G2 Max fork height | m | 2.96 | 3.08 |
| G1 Forks height@max reach | m | 1.34 | 1.34 |
| J1 Reach @ ground level | m | 0.77 | 0.99 |
| J2 Max Reach | m | 1.26 | 1.43 |
| J3 Reach @ max height | m | 0.46 | 0.61 |

SPECIFICATIONS WITH BUCKET 07-1.0



| | | W50C | W80C |
|-------------------------------|----------------|-----------|--------------|
| | | TC | Z-BAR |
| Bucket volume (SAE) | m ³ | 07-1.0 | 1.1-1.2 |
| Breakout force | kgF | 4104 | 6317 |
| Max operating weight | t | 5.3 t | 6.5 |
| L2 Length with bucket | m | 5.23 m | 5.68 |
| A Max bucket height | m | 3.94 m | 3.40 |
| B Hinge pin height | m | 3.11 m | 3.40 |
| C Dump height @ 45° | m | 2.34 m | 2.69 |
| D Dig Depth | cm | 13 | 8.4 |
| E Reach at full height | cm | 71 | 85 |

PARTS AND SERVICE

The New Holland dealer network is, in itself, the best guarantee of continued productivity for the machines it delivers to its customers. New Holland service technicians are fully equipped to resolve all maintenance and repair issues, with each and every service point providing the high standards they are obliged to observe under New Holland's stringent quality guidelines. The New Holland global parts network ensures fast, reliable, replacement parts for less downtime, increased productivity and, of course, profitable operation for its customers.



AT YOUR OWN DEALERSHIP

The information contained in this brochure is intended to be of general nature only. The NEW HOLLAND CONSTRUCTION MACHINERY S.p.A. company may at any time and from time to time, for technical or other necessary reasons, modify any of the details or specifications of the product described in this brochure. Illustrations do not necessarily show products in standard conditions. The dimensions, weights and capacities shown herein, as well as any conversion data used, are approximate only and are subject to variations within normal manufacturing techniques.

Printed on recycled paper
CoC-FSC 000010 CQ Mixed sources



ELEMENTAL
CHLORINE
FREE
GUARANTEED

creative-farm.it 03/2018



www.newholland.com

